

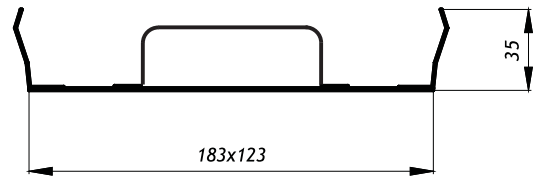
26. CLEAN OUT ELEMENT PLUG ZWC

PICTURE



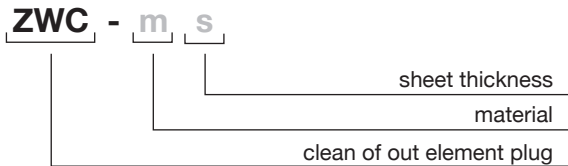
MEASUREMENTS

ZWC



Weight [kg]	0.14	for s = 0.6
--------------------	------	-------------

DENOTATIONS / PRODUCT CODES



MATERIALS

Destination	W	W	-	W - ventilation ducts
	S	-	-	S - flue ducts
	-	-	D	D - smoke ducts
Material	CH	-	-	CH - stainless steel 1.4404
	-	X	-	X - stainless steel 1.4301
	-	-	Z	Z - heat resistant steel 1.4828
Sheet thickness s	5	-	-	5 - Sheet thickness 0,5 mm
	6	6	-	6 - Sheet thickness 0,6 mm
	8	8	8	8 - Sheet thickness 0,8 mm
	1	1	1	1 - Sheet thickness 1,0 mm

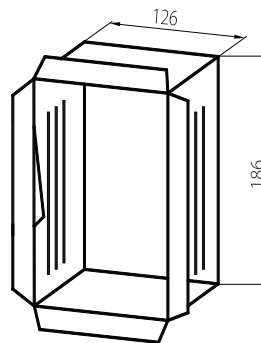
27. DRAUGHT REGULATOR DOOR FRAME RCW RM-DW

PICTURE



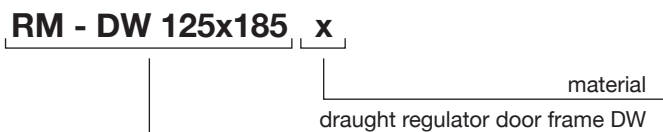
MEASUREMENTS

RM-DW



Weight [kg]	0.50
--------------------	------

DENOTATIONS / PRODUCT CODES

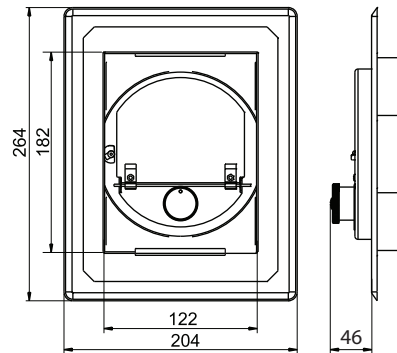


MATERIALS

Destination	W	W	-	W - ventilation ducts
	S	-	-	S - flue ducts
	-	-	D	D - smoke ducts
Material	-	-	-	CH - stainless steel 1.4404
	X	X	X	X - stainless steel 1.4301
	-	-	-	Z - heat resistant steel 1.4828
Sheet thickness s	-	-	-	5 - Sheet thickness 0,5 mm
	-	-	-	6 - Sheet thickness 0,6 mm
	8	8	8	8 - Sheet thickness 0,8 mm
	-	-	-	1 - Sheet thickness 1,0 mm

28. DRAUGHT REGULATOR TO DARCO CLEAN OUT ELEMENT RCW

PICTURE



MEASUREMENTS

RCW

Lp	Name	Value	
1	Group	5	
2	Norm	DIN 4795	
3	Underpressure range [Pa]	10 ÷ 35	
4	Max. fumes temp. [°C]	400	
5	Chimney parameters (chimney height not bigger than 20 m)	Max. chimney duct cross-section [cm ²]	Max diameter of a round chimney duct[cm]
	I and II insulation class	500	25
	III insulation class	750	31

Weight [kg] 0.80

DENOTATIONS / PRODUCT CODES

MATERIALS

RCW

draught regulator to DARCO clean out element

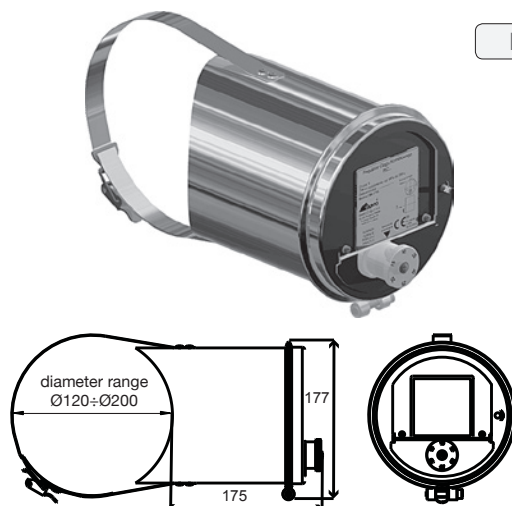
NOTICE!

Mounting of the RCW regulator requires usage of the RM-DW door frame

Destination	-	W	-	W - ventilation ducts
	-	S	-	S - flue ducts
	-	D	-	D - smoke ducts
Material	-	-	-	CH - stainless steel 1.4404
	-	X	-	X - stainless steel 1.4301
	-	-	-	Z - heat resistant steel 1.4828

29. ON PIPE MOUNTED DRAUGHT REGULATOR RCR

PICTURE



RCR

MEASUREMENTS

Lp	Name	Value	
1	Group	5	
2	Norm	DIN 4795	
3	Underpressure range [Pa]	10 ÷ 35	
4	Max. fumes temp. [°C]	400	
5	Chimney parameters (chimney height not bigger than 20 m)	Max. chimney duct cross-section [cm ²]	Max diameter of a round chimney duct[cm]
	I and II insulation class	500	25
	III insulation class	750	31

Weight [kg] 0.80

DENOTATIONS / PRODUCT CODES

MATERIALS

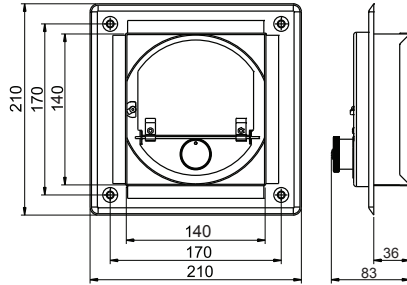
RCR

on pipe mounted draught regulator

Destination	-	W	-	W - ventilation ducts
	-	S	-	S - flue ducts
	-	D	-	D - smoke ducts
Material	-	-	-	CH - stainless steel 1.4404
	-	X	-	X - stainless steel 1.4301
	-	-	-	Z - heat resistant steel 1.4828

30. RECTANGULAR DRAUGHT REGULATOR RCP

PICTURE



MEASUREMENTS

RCP

Lp	Name	Value	
1	Group	5	
2	Norm	DIN 4795	
3	Underpressure range [Pa]	10 ÷ 35	
4	Max. fumes temp. [°C]	400	
5	Chimney parameters (chimney height not bigger than 20 m)	Max. chimney duct cross-section [cm ²]	Max. diameter of a round chimney duct [cm]
	I and II insulation class	500	25
	III insulation class	750	31

Weight [kg] 0.80

DENOTATIONS / PRODUCT CODES

MATERIALS

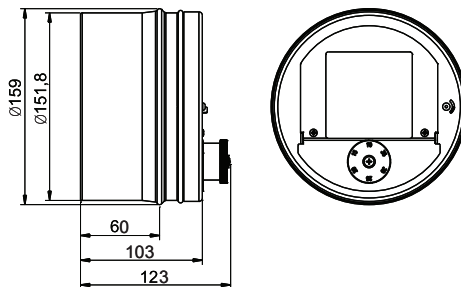
RCP

rectangular draught regulator

Destination	-	W	-	W - ventilation ducts
	-	S	-	S - flue ducts
	-	D	-	D - smoke ducts
Material	-	-	-	CH - stainless steel 1.4404
	-	X	-	X - stainless steel 1.4301
	-	-	-	Z - heat resistant steel 1.4828

31. ROUND DRAUGHT REGULATOR RCO

PICTURE



MEASUREMENTS

RCO

Lp	Name	Value	
1	Group	5	
2	Norm	DIN 4795	
3	Underpressure range [Pa]	10 ÷ 35	
4	Max. fumes temp. [°C]	400	
5	Chimney parameters (chimney height not bigger than 20 m)	Max. chimney duct cross-section [cm ²]	Max. diameter of a round chimney duct [cm]
	I and II insulation class	500	25
	III insulation class	750	31

Weight [kg] 0.70

DENOTATIONS / PRODUCT CODES

MATERIALS

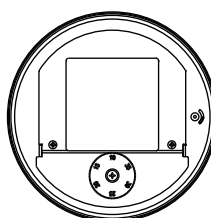
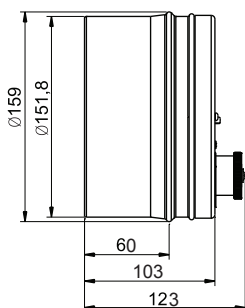
RCO

round draught regulator

Destination	-	W	-	W - ventilation ducts
	-	S	-	S - flue ducts
	-	D	-	D - smoke ducts
Material	-	-	-	CH - stainless steel 1.4404
	-	X	-	X - stainless steel 1.4301
	-	-	-	Z - heat resistant steel 1.4828

32. ROUND DRAUGHT REGULATOR WITH ANTI-EXPLOSION SYSTEM RCO-EX

PICTURE



MEASUREMENTS

RCO-EX

Lp	Name	Value	
1	Group	5	
2	Norm	DIN 4795	
3	Underpressure range [Pa]	10 ÷ 35	
4	Max. fumes temp. [°C]	400	
5	Chimney parameters (chimney height not bigger than 20 m)	Max. chimney duct cross-section [cm ²]	Max. diameter of a round chimney duct [cm]
	I and II insulation class	500	25
	III insulation class	750	31

Weight [kg]	0.70
--------------------	------

DENOTATIONS / PRODUCT CODES

RCO-EX

round draught regulator with anti-explosion system

MATERIALS

Destination	-	W	-	W - ventilation ducts
	-	S	-	S - flue ducts
	-	D	-	D - smoke ducts
Material	-	-	-	CH - stainless steel 1.4404
	-	X	-	X - stainless steel 1.4301
	-	-	-	Z - heat resistant steel 1.4828