

BENT ELBOWS

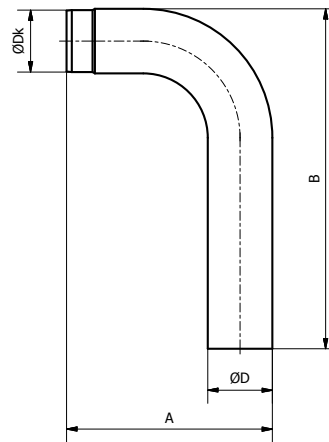
Chimney connection system <SPK> thick. 2,0 mm -DC01

1. HIGH ELBOW KG

PICTURE



MEASUREMENTS



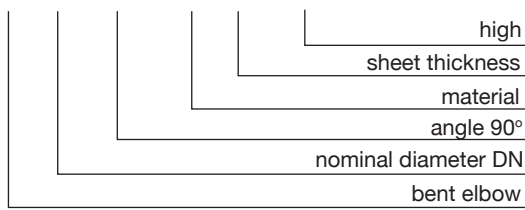
KG

Diameter DN	Ø120	Ø130	Ø150
ØD [mm]	125.0	135.0	155.0
ØDk [mm]	120.0	130.0	150.0
A [mm]	398.0	420.0	460.0
B [mm]	658.0	640.0	668.0
Weight [kg]	5.1	5.5	6.6

DENOTATION / PRODUCT CODE

MATERIALS

KG x / 90 - CZ 2 / W



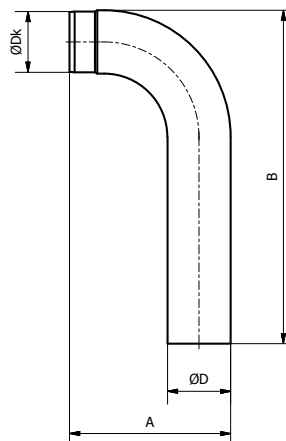
Destination	D	D - smoke ducts
Material	CZ	CZ - mild steel DC01
Sheet thickness s	2	2 - thickness 2,0 mm

2. HIGH-SHORT ELBOW KG

PICTURE



MEASUREMENTS



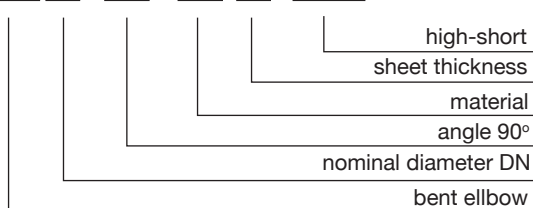
KG

Diameter DN	Ø120	Ø130	Ø150
ØD [mm]	125.0	135.0	155.0
ØDk [mm]	120.0	130.0	150.0
A [mm]	318.0	340.0	380.0
B [mm]	658.0	640.0	668.0
Weight [kg]	4.7	5.0	6.0

DENOTATION / PRODUCT CODE

MATERIALS

KG x / 90 - CZ 2 / WK



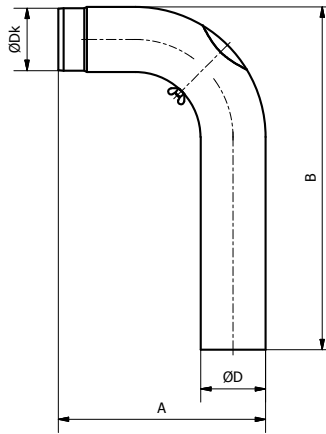
Destination	D	D - smoke ducts
Material	CZ	CZ - mild steel DC01
Sheet thickness s	2	2 - thickness 2,0 mm

3. HIGH ELBOW WITH REVISION KGR

PICTURE



MEASUREMENTS

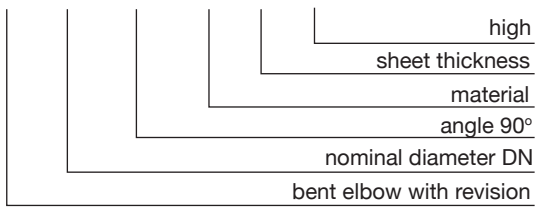


KGR

Diameter DN	Ø120	Ø130	Ø150
ØD [mm]	125.0	135.0	155.0
ØDk [mm]	120.0	130.0	150.0
A [mm]	398.0	420.0	460.0
B [mm]	658.0	640.0	668.0
Weight [kg]	5.2	5.6	6.7

DENOTATION / PRODUCT CODE

KGR x / **90** - **CZ** 2 / **W**



MATERIALS

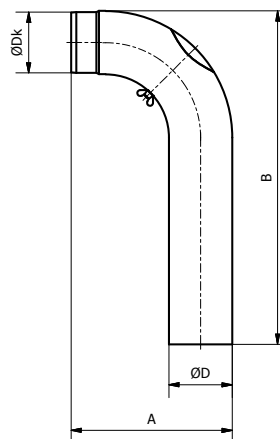
Destination	D	D - smoke ducts
Material	CZ	CZ - mild steel DC01
Sheet thickness s	2	2 - thickness 2,0 mm

4. HIGH-SHORT ELBOW WITH REVISION KGR

PICTURE



MEASUREMENTS

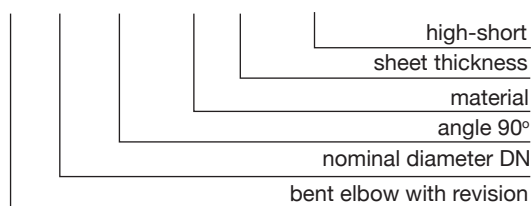


KGR

Diameter DN	Ø120	Ø130	Ø150
ØD [mm]	125.0	135.0	155.0
ØDk [mm]	120.0	130.0	150.0
A [mm]	318.0	340.0	380.0
B [mm]	658.0	640.0	668.0
Weight [kg]	4.7	5.0	6.1

DENOTATION / PRODUCT CODE

KGR x / **90** - **CZ** 2 / **WK**



MATERIALS

Destination	D	D - smoke ducts
Material	CZ	CZ - mild steel DC01
Sheet thickness s	2	2 - thickness 2,0 mm

BENT ELBOWS

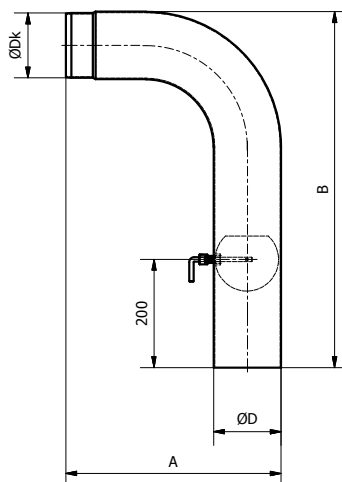
Chimney connection system <SPK> thick. 2,0 mm -DC01

5. HIGH ELBOW WITH CHIMNEY DAMPER KGS

PICTURE



MEASUREMENTS

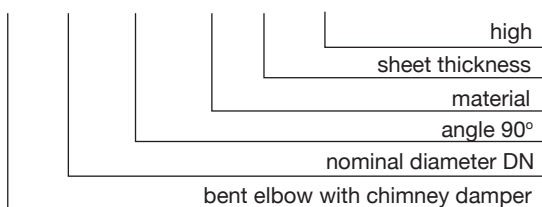


KGS

Diameter DN	Ø120	Ø130	Ø150
ØD [mm]	125.0	135.0	155.0
ØDk [mm]	120.0	130.0	150.0
A [mm]	398.0	420.0	460.0
B [mm]	658.0	640.0	668.0
Weight [kg]	5.4	5.8	6.9

DENOTATION / PRODUCT CODE

KGS x / 90 - CZ 2 / W



MATERIALS

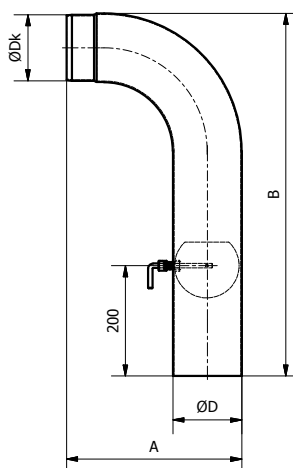
Destination	D	D - smoke ducts
Material	CZ	CZ - mild steel DC01
Sheet thickness s	2	2 - thickness 2,0 mm

6. HIGH-SHORT ELBOW WITH CHIMNEY DAMPER KGS

PICTURE



MEASUREMENTS

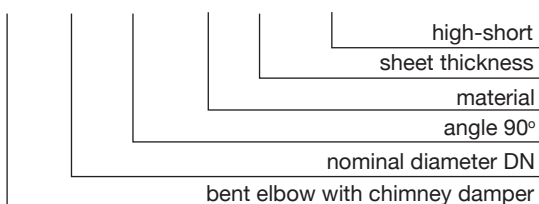


KGS

Diameter DN	Ø120	Ø130	Ø150
ØD [mm]	125.0	135.0	155.0
ØDk [mm]	120.0	130.0	150.0
A [mm]	318.0	340.0	380.0
B [mm]	658.0	640.0	668.0
Weight [kg]	4.9	5.2	6.3

DENOTATION / PRODUCT CODE

KGS x / 90 - CZ 2 / WK



MATERIALS

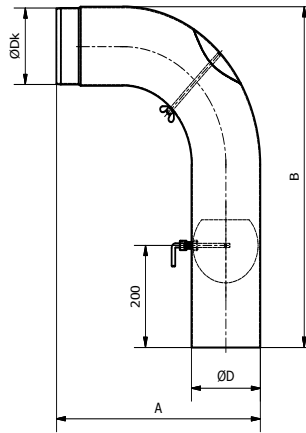
Destination	D	D - smoke ducts
Material	CZ	CZ - mild steel DC01
Sheet thickness s	2	2 - thickness 2,0 mm

7. HIGH ELBOW WITH REVISION AND CHIMNEY DAMPER KGSR

PICTURE



MEASUREMENTS



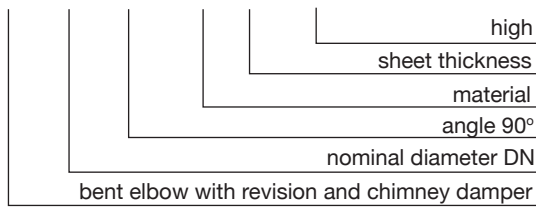
KGSR

Diameter DN	Ø120	Ø130	Ø150
ØD [mm]	125.0	135.0	155.0
ØDk [mm]	120.0	130.0	150.0
A [mm]	398.0	420.0	460.0
B [mm]	658.0	640.0	668.0
Weight [kg]	5.5	5.8	7.0

DENOTATION / PRODUCT CODE

MATERIALS

KGSR x / 90 - CZ 2 / W



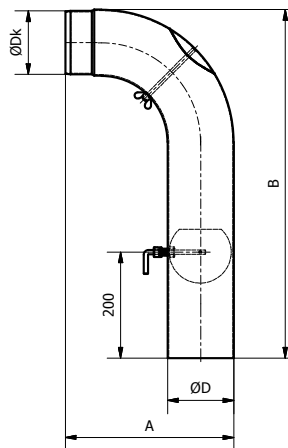
Destination	D	D -smoke ducts
Material	CZ	CZ - mild steel DC01
Sheet thickness s	2	2 - thickness 2,0 mm

8. HIGH-SHORT ELBOW WITH REVISION AND CHIMNEY DAMPER KGSR

PICTURE



MEASUREMENTS



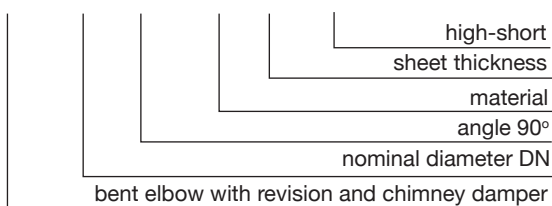
KGSR

Diameter DN	Ø120	Ø130	Ø150
ØD [mm]	125.0	135.0	155.0
ØDk [mm]	120.0	130.0	150.0
A [mm]	318.0	340.0	380.0
B [mm]	658.0	640.0	668.0
Weight [kg]	5.0	5.3	6.4

DENOTATION / PRODUCT CODE

MATERIALS

KGSR x / 90 - CZ 2 / WK



Destination	D	D -smoke ducts
Material	CZ	CZ - mild steel DC01
Sheet thickness s	2	2 - thickness 2,0 mm

BENT ELBOWS

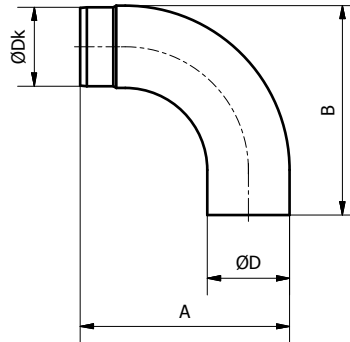
Chimney connection system <SPK> thick. 2,0 mm -DC01

9. LOW ELBOW KG

PICTURE



MEASUREMENTS

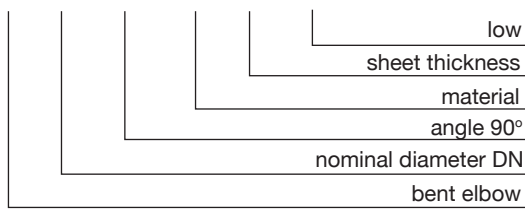


KG

Diameter DN	Ø120	Ø130	Ø150
ØD [mm]	125.0	135.0	155.0
ØDk [mm]	120.0	130.0	150.0
A [mm]	318.0	340.0	380.0
B [mm]	318.0	340.0	380.0
Weight [kg]	2.6	3.0	3.8

DENOTATION / PRODUCT CODE

KG x / 90 - CZ 2 / N



MATERIALS

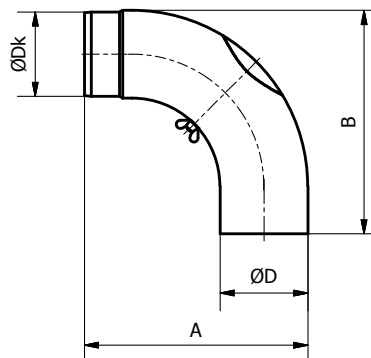
Destination	D	D -smoke ducts
Material	CZ	CZ - mild steel DC01
Sheet thickness s	2	2 - thickness 2,0 mm

10. LOW ELBOW WITH REVISION KGR

PICTURE



MEASUREMENTS

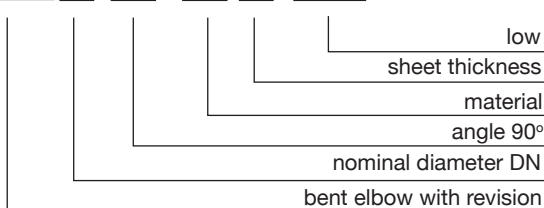


KGR

Diameter DN	Ø120	Ø130	Ø150
ØD [mm]	125.0	135.0	155.0
ØDk [mm]	120.0	130.0	150.0
A [mm]	318.0	340.0	380.0
B [mm]	318.0	340.0	380.0
Weight [kg]	2.7	3.1	3.9

DENOTATION / PRODUCT CODE

KGR x / 90 - CZ 2 / N



MATERIALS

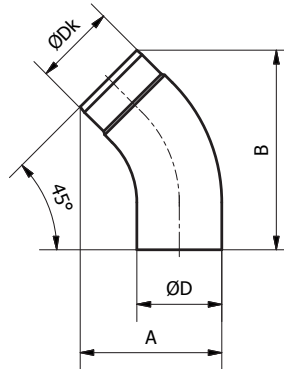
Destination	D	D -smoke ducts
Material	CZ	CZ - mild steel DC01
Sheet thickness s	2	2 - thickness 2,0 mm

11. ELBOW 45° KG

PICTURE



MEASUREMENTS

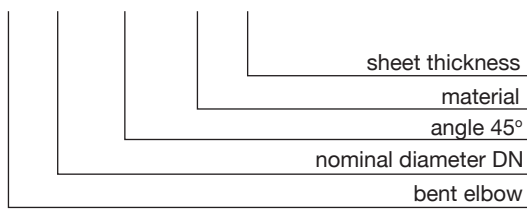


KG

Diameter DN	Ø120	Ø130	Ø150
ØD [mm]	125.0	135.0	155.0
ØDk [mm]	120.0	130.0	150.0
A [mm]	208.0	222.0	248.0
B [mm]	294.0	308.0	336.0
Weight [kg]	1.7	1.9	2.4

DENOTATION / PRODUCT CODE

KG x / **45** - **CZ** **2**



MATERIALS

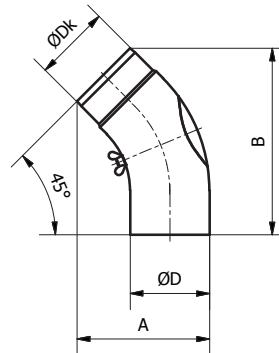
Destination	D	D -smoke ducts
Material	CZ	CZ -mild steel DC01
Sheet thickness s	2	2 - thickness 2,0 mm

12. ELBOW 45° WITH REVISION KGR

PICTURE



MEASUREMENTS

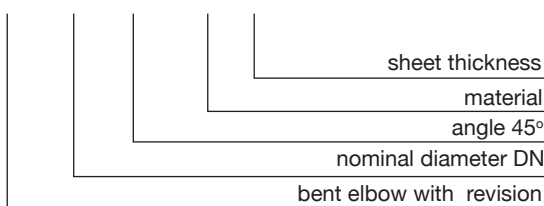


KGR

Diameter DN	Ø120	Ø130	Ø150
ØD [mm]	125.0	135.0	155.0
ØDk [mm]	120.0	130.0	150.0
A [mm]	208.0	222.0	248.0
B [mm]	294.0	308.0	336.0
Weight [kg]	1.80	2.0	2.5

DENOTATION / PRODUCT CODE

KGR x / **45** - **CZ** **2**



MATERIALS

Destination	D	D -smoke ducts
Material	CZ	CZ - mild steel DC01
Sheet thickness s	2	2 - thickness 2,0 mm