

Universal motor speed controller RO-10 (on surface mounted)

PICTURE



DESCRIPTION

Motor speed controller RO-10 is a device used in the hot air distribution systems to adjust motor speed of the ANeco hot air ventilators as well as hybrid chimney cowls type TU-400 and TU-500. It is designed

to work with EC motors.

Motor speed controller is able to work in passive mode, without any additional power supply.

DESTINATION

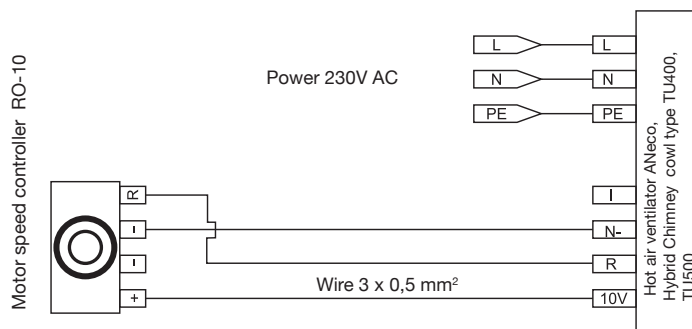
- steering of ANeco hot air ventilator
- steering of hybrid chimney cowls type: TU 400 and TU 500

PARAMETERS

Parametr	Value
Power supply (as option*)	12-24 V DC
Power consumption	< 1 W
Range of regulative voltage	0-10 V
Maximal output current	1 mA
Weight	130 g

* ACTIVE MODE- when using external power supply

ELECTRICAL DIAGRAM



DENOTATIONS / PRODUCT CODES

RO-10

motor speed controller

MATERIALS

Destination	O	O- air heating
Material	P	P- Plastic